

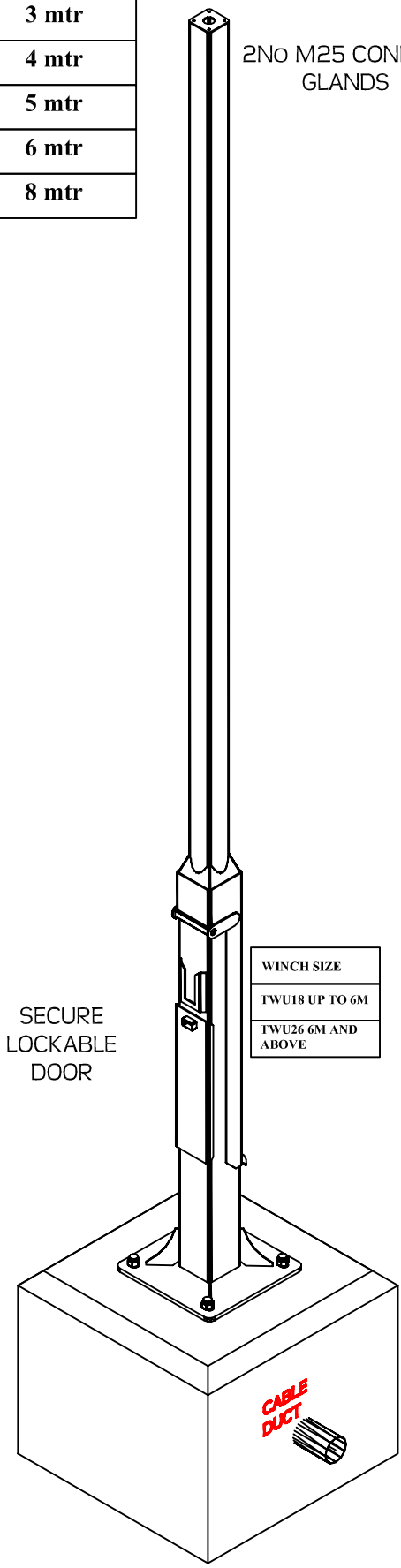
MODEL No	HEIGHT
TDSP3/300	3 mtr
TDSP4/300	4 mtr
TDSP5/300	5 mtr
TDSP6/300	6 mtr
TDSP8/300	8 mtr

4No M6 ON A 101.6 PCD

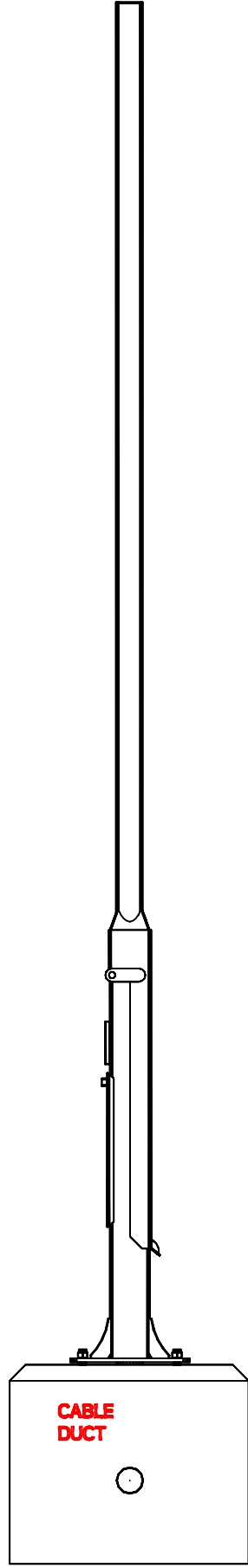
MAX LOAD
40KG
40KG
40KG
40KG
40KG

FINISH: GALVANISED BS EN ISO 1461-2009


2No M25 CONDUIT GLANDS



WINCH SIZE
TWU18 UP TO 6M
TWU26 6M AND ABOVE



PLEASE SEE SETTING TEMPLATE PDF FOR THE FOUNDATION DETAILS

DESCRIPTION: TILT DOWN SQUARE POST	DRAWN BY: BRIAN TURNER CTE	SCALE: NOT TO SCALE
	DRAWING No CAM050917BT	QUALITY STANDARD BS EN 1090
 CAMERA TOWER ENGINEERING LTD UNITS 1&2 MARSH HOUSE MILL MARSH HOUSE LANE DARWEN BB3 3JJ brian@camera-towers.com	DATE: SEPT 2017	DIMS = mm UNLESS STATED
	STATUS: ISSUED V1	MATERIAL: M/S GRADE 43A S275 TO EN 10025:1993