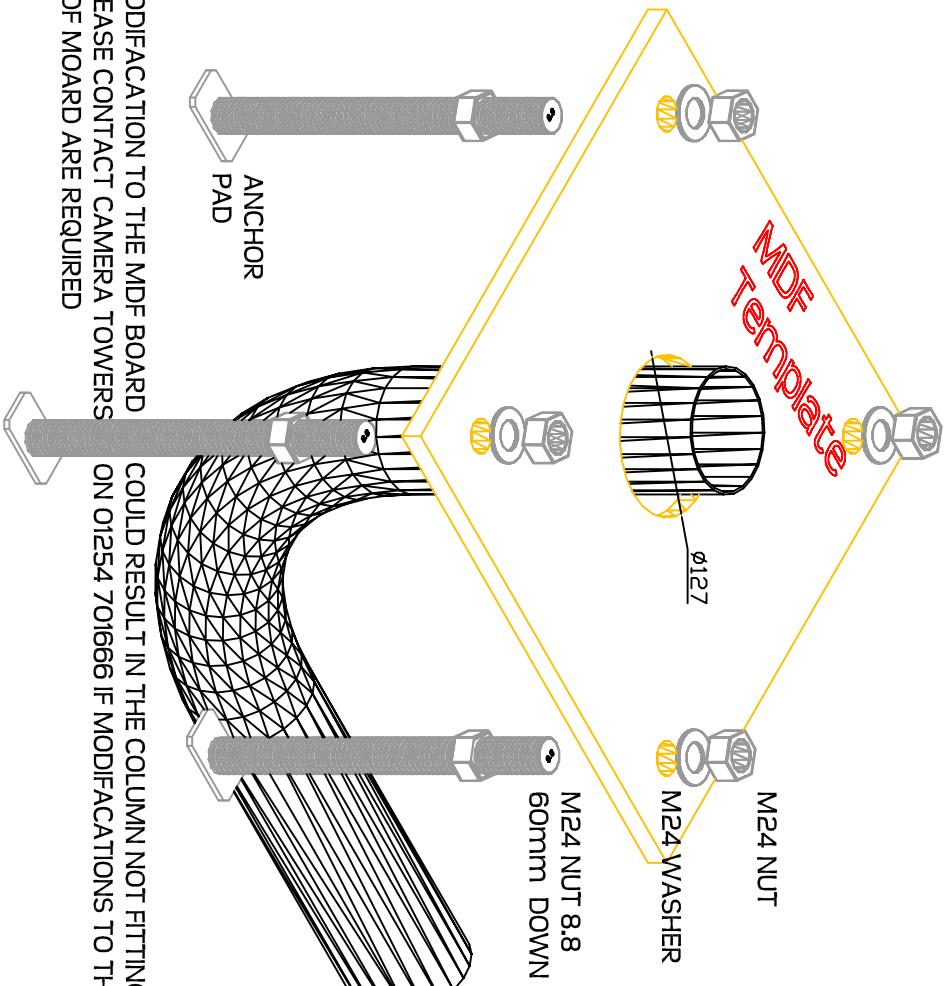


ASSEMBLE SETTING TEMPLATE AND BOLTS AS PER DRAWING BELOW ENSURING THAT 60-75mm IS PROTRUDING FROM UNDERSIDE OF MDF BOARD TO CHECK THIS ENSURE THE LEVELING NUTS ARE WOUND 60 - 75MM FROM TOP EDGE OF STUD Tighten the nuts to hold the bolts level and square
 PROTECT THE TOP PROTRUDING THREADS FROM CONCRETE WITH A SUITABLE TAPE



MODIFICATION TO THE MDF BOARD
 PLEASE CONTACT CAMERA TOWERS
 MDF BOARD ARE REQUIRED

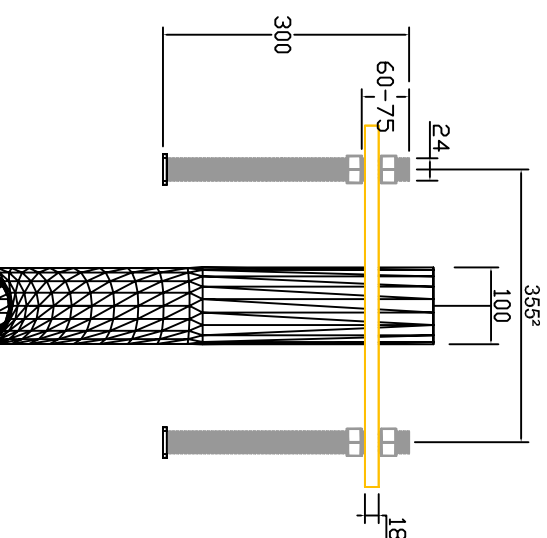
COULD RESULT IN THE COLUMN NOT FITTING
 ON 01254 701666 IF MODIFICATIONS TO THE

FOUNDATION IS TO BE CAST ON A SUBSTRATA PROVIDING MINIMUM ALLOWABLE BEARING PRESSURE OF 75KN/m² GROUND CONDITIONS TO BE INSPECTED BY A SUITABLY QUALIFIED INDIVIDUAL PRIOR TO CONCRETE POUR

ALL CONCRETE IS TO BE GRADE C28-35 TO BS 8500-1

EXCAVATE AS PER RECOMMENDED AREA AND DEPTH SEE CHART BELOW

TO SUIT MODEL No	POLE HEIGHT	CONCRETE BASE AREA AND DEPTH	CONCRETE GRADE	CONCRETE CURE TIME	HOLING-DOWN BOLTS	TOP THREAD PROTECTION
FTT3 & TDIT3	3 mtr	0.9 x 0.9 x 0.4	C28-35 TO BS 8500-1	3 DAYS MINIMUM	8.8 GALVANISED M24 X 300 - 330	DUCT TAPE OR SIMILAR
FTT4 & TDIT4	4 mtr	1.0 x 1.0 x 0.4	C28-35 TO BS 8500-1	3 DAYS MINIMUM	8.8 GALVANISED M24 X 300 - 330	DUCT TAPE OR SIMILAR
FTT5 & TDIT5	5 mtr	1.0 x 1.0 x 0.5	C28-35 TO BS 8500-1	3 DAYS MINIMUM	8.8 GALVANISED M24 X 300 - 330	DUCT TAPE OR SIMILAR
FTT6 & TDIT6	6 mtr	1.2 x 1.2 x 0.6	C28-35 TO BS 8500-1	3 DAYS MINIMUM	8.8 GALVANISED M24 X 300 - 330	DUCT TAPE OR SIMILAR
FTT8 & TDIT8	8 mtr	1.3 x 1.3 x 0.7	C28-35 TO BS 8500-1	3 DAYS MINIMUM	8.8 GALVANISED M24 X 300 - 330	DUCT TAPE OR SIMILAR



CABLE MANAGEMENT
 A PLASTIC PIPE OF APPROXIMATELY 100MM OUTSIDE DIAMETER IS RECOMMENDED ENSURE THIS PROTRUDES THROUGH THE TEMPLATE BY 100mm MINIMUM

DESCRIPTION:

FTP & TDTP SETTING TEMPLATE



CAMERA TOWER ENGINEERING LTD
 UNITS 1&2 MARSH-HOUSE MILL
 MARSH HOUSE LANE
 DARWEN BB3 3JU
 brian@camera-towers.com

DRAWING NO CAMI-150T-BT

DRAWN BY: B. TURNER CTE

NOTES: