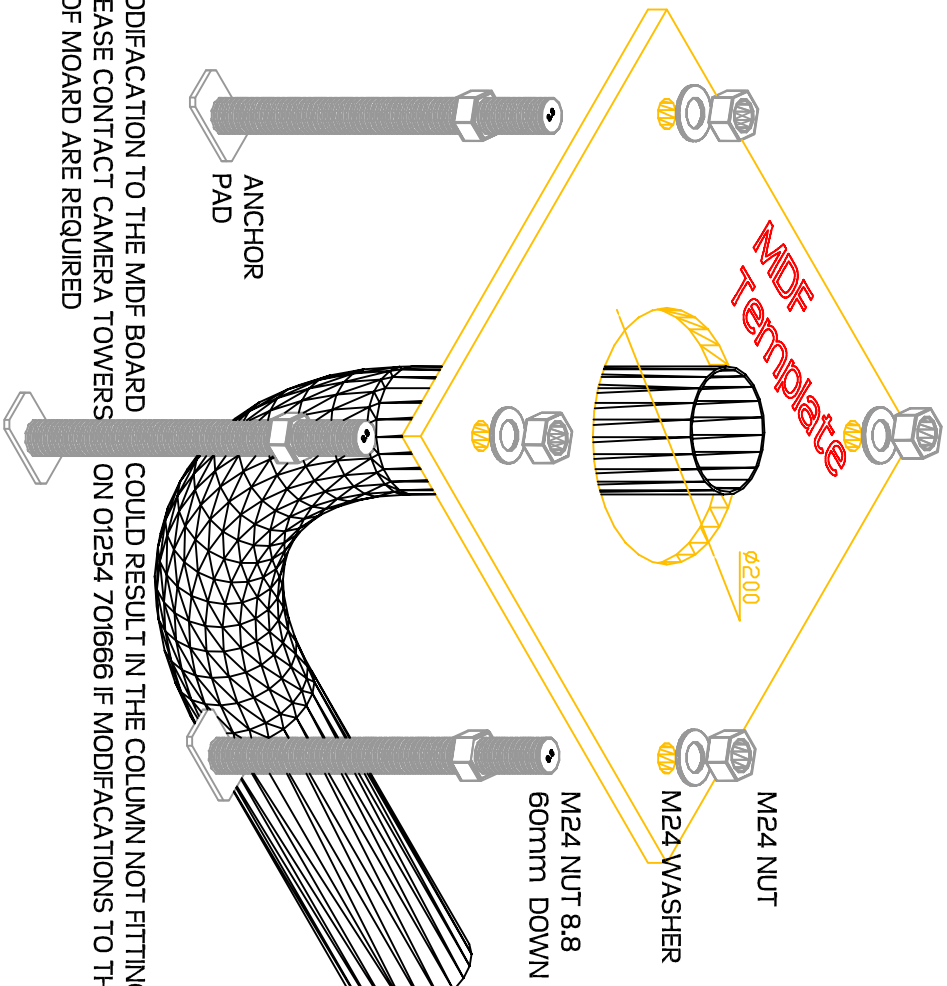


ASSEMBLE SETTING TEMPLATE AND BOLTS AS PER DRAWING BELOW ENSURING THAT 60-75mm IS PROTRUDING FROM UNDERSIDE OF MDF BOARD TO CHECK THIS ENSURE THE LEVELING NUTS ARE WOUND 60 - 75MM FROM TOP EDGE OF STUD Tighten the nuts to hold the bolts level and square  
 PROTECT THE TOP PROTRUDING THREADS FROM CONCRETE WITH A SUITABLE TAPE



MODIFICATION TO THE MDF BOARD  
 PLEASE CONTACT CAMERA TOWERS  
 MDF BOARD ARE REQUIRED

COULD RESULT IN THE COLUMN NOT FITTING  
 ON 01254 701666 IF MODIFICATIONS TO THE

FOUNDATION IS TO BE CAST ON A SUBSTRATA PROVIDING MINIMUM ALLOWABLE BEARING PRESSURE OF 75KN/m<sup>2</sup> GROUND CONDITIONS TO BE INSPECTED BY A SUITABLY QUALIFIED INDIVIDUAL PRIOR TO CONCRETE POUR

ALL CONCRETE IS TO BE GRADE C28-35 TO BS 8500-1

EXCAVATE AS PER RECOMMENDED AREA AND DEPTH SEE CHART BELOW

TO SUIT MODEL No	POLE HEIGHT	CONCRETE BASE AREA AND DEPTH	CONCRETE GRADE	CONCRETE CURE TIME	HOLING-DOWN BOLTS	TOP THREAD PROTECTION
CBR3 & CBP1D3	3 mtr	0.9 x 0.9 x 0.4	C28-35 TO BS 8500-1	3 DAYS MINIMUM	8.8 GALVANISED M24 X 300 - 330	DUCT TAPE OR SIMILAR
CBP4 & CBP1D4	4 mtr	1.0 x 1.0 x 0.4	C28-35 TO BS 8500-1	3 DAYS MINIMUM	8.8 GALVANISED M24 X 300 - 330	DUCT TAPE OR SIMILAR
CBR5 & CBP1D5	5 mtr	1.0 x 1.0 x 0.5	C28-35 TO BS 8500-1	3 DAYS MINIMUM	8.8 GALVANISED M24 X 300 - 330	DUCT TAPE OR SIMILAR
CBP6 & CBP1D6	6 mtr	1.2 x 1.2 x 0.6	C28-35 TO BS 8500-1	3 DAYS MINIMUM	8.8 GALVANISED M24 X 300 - 330	DUCT TAPE OR SIMILAR
CBP8 & CBP1D8	8 mtr	1.3 x 1.3 x 0.7	C28-35 TO BS 8500-1	3 DAYS MINIMUM	8.8 GALVANISED M24 X 300 - 330	DUCT TAPE OR SIMILAR

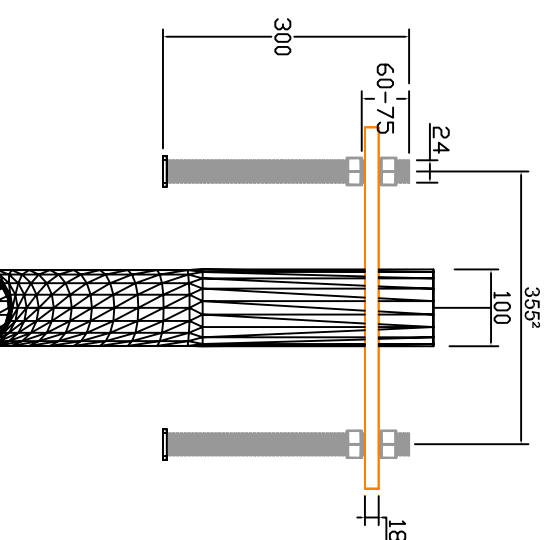
# CBP300 & CBPTD300 SETTING TEMPLATE

DESCRIPTION:

CAMERA TOWER ENGINEERING LTD  
 UNITS 1&2 MARSH-HOUSE MILL  
 MARSH HOUSE LANE  
 DARWEN BB3 3JU  
 brian@camera-towers.com

DRAWING NO: CAM1-300-BT  
 DRAWN BY: B. TURNER CTE

NOTES:



CABLE MANAGEMENT  
 A PLASTIC PIPE OF APPROXIMATELY 100MM OUTSIDE DIAMETER IS RECOMMENDED ENSURE THIS PROTRUDES THROUGH THE TEMPLATE BY 100mm MINIMUM